

RainDrain Point

Complete set point drain 100/100 tileable rear cover

Finish: **Matt Black** Article Number: **56247670**



Description

product features

- consists of: point drain, installation set, pre-assembled sealing membrane, base set, siphon, screed protection cover
- grate material: Stainless Steel 304 (1.4301)
- pre-assembled sealing membrane
- water seal: up to max. 50 mm
- connection diameter: DN40
- direction of outlet: horizontal
- easy to clean surface
- height adjustable by 10 mm
- up to 41 l/min drainage capacity
- where to use: new construction, renovation
- tile thickness: up to 18 mm
- removable water seal
- rotatable and adjustable siphon body
- easy to clean siphon
- grate removal tool allows easy removal of the finish set
- with removable hair strainer
- type of odour seal: fluid
- minimal construction height 54 mm
- material siphon: ABS
- mounting type: free in the floor
- tileable on the back side
- simplified installation due to the cuttable siphon
- tile inlay depth: 12 mm
- suitable for primary drainage
- third party controlled acc. DIN EN 1253-3

Technology



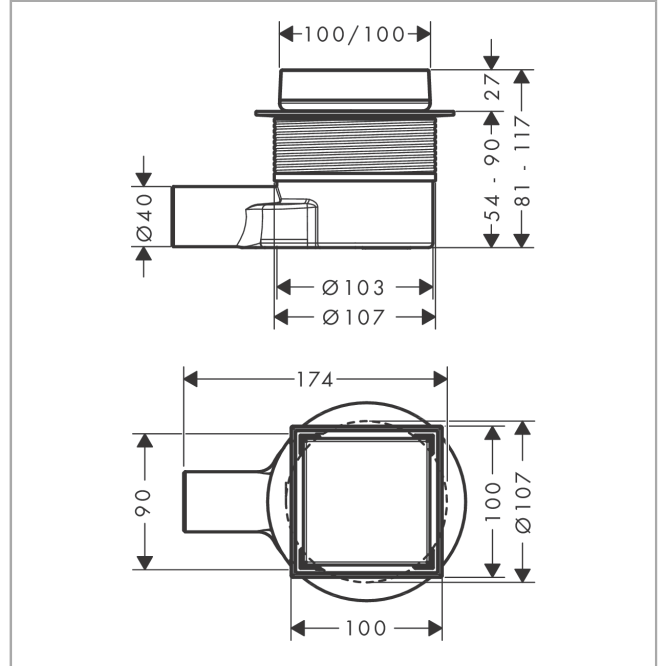
RainDrain Point
Complete set point drain 100/100 tileable rear cover
 Finish: **Matt Black** Article Number: **56247670**



Product image



Scale drawing

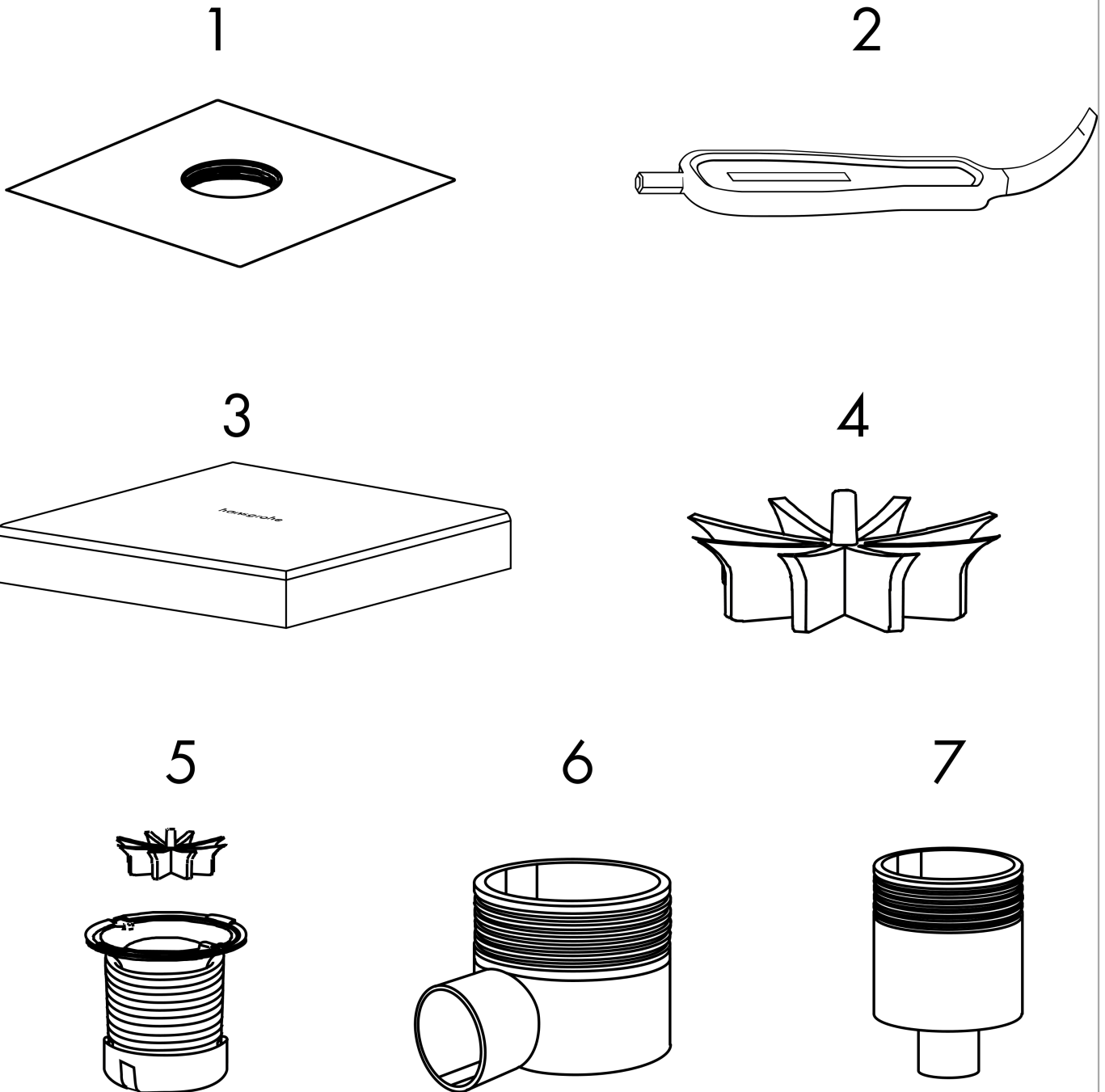


RainDrain Point
Complete set point drain 100/100 tileable rear cover
 Finish: **Matt Black** Article Number: **56247670**



Exploded Drawing

Year of production: >01/23



RainDrain Point
Complete set point drain 100/100 tileable rear cover
 Finish: **Matt Black** Article Number: **56247670**



Spare part list

Year of production: >01/23

Pos.	Description	Article Number	PC	PU
1	sealing foil	94758000	11	1
2	service tool	94327000	7	1
3	cover	94766670	13	1
4	hair guard tray	94757000	6	1
5	hair guard tray	94756000	10	1
6	trap cpl.	94759000	11	1
7	trap cpl.	94760000	11	1